

2/4/5 Megapixel H.265 IR Mini Dome Network Camera



MS-C2982-PB/MS-C4482-PB/
MS-C5382-PB

DATASHEET

KEY FEATURES

- ▶ **H.265** (50% reduction in bandwidth, storage and bit rate compared with H.264.)
- ▶ **Advanced Functions** (Boasting to support various advanced functions such as HLC, Defog, ROI.)
- ▶ **Built-in Microphone** (Supporting audio function to hear what is happening in front of the camera.)
- ▶ **SIP** (Session Initiation Protocol. Providing audio/alarm/intercom and video streaming for mobile phones and video phones.)
- ▶ **3-Axis Mechanical Design** (Featuring 3-axis mechanical design for fast and easy adjustment of the camera's viewing angle.)
- ▶ **128G** (Supporting ultra-large external microSD/SDHC/SDXC storage up to 128G.)

0.002Lux Ultra Low-light

The starlight camera is able to deliver high detailed color images even in low light environment reaching 0.002Lux(Color) or 0Lux(B/W), and near infrared light environments without any supplementary lighting.



140dB Super WDR

Milesight's sensor-based WDR technology allows the camera to record greater scene details with true color reproduction even under the extreme back light and high contrast conditions. The ratio that the brightest light signal values divided by the darkest light signal values is up to 140dB.

Easy Installation & Adjustment

With a built-in RJ45 port, PoE functionality and 3-axis mechanical design, the installation steps of Milesight IR Mini Dome Camera are as easy as ABC.



H.265 IR Mini Dome Network Camera



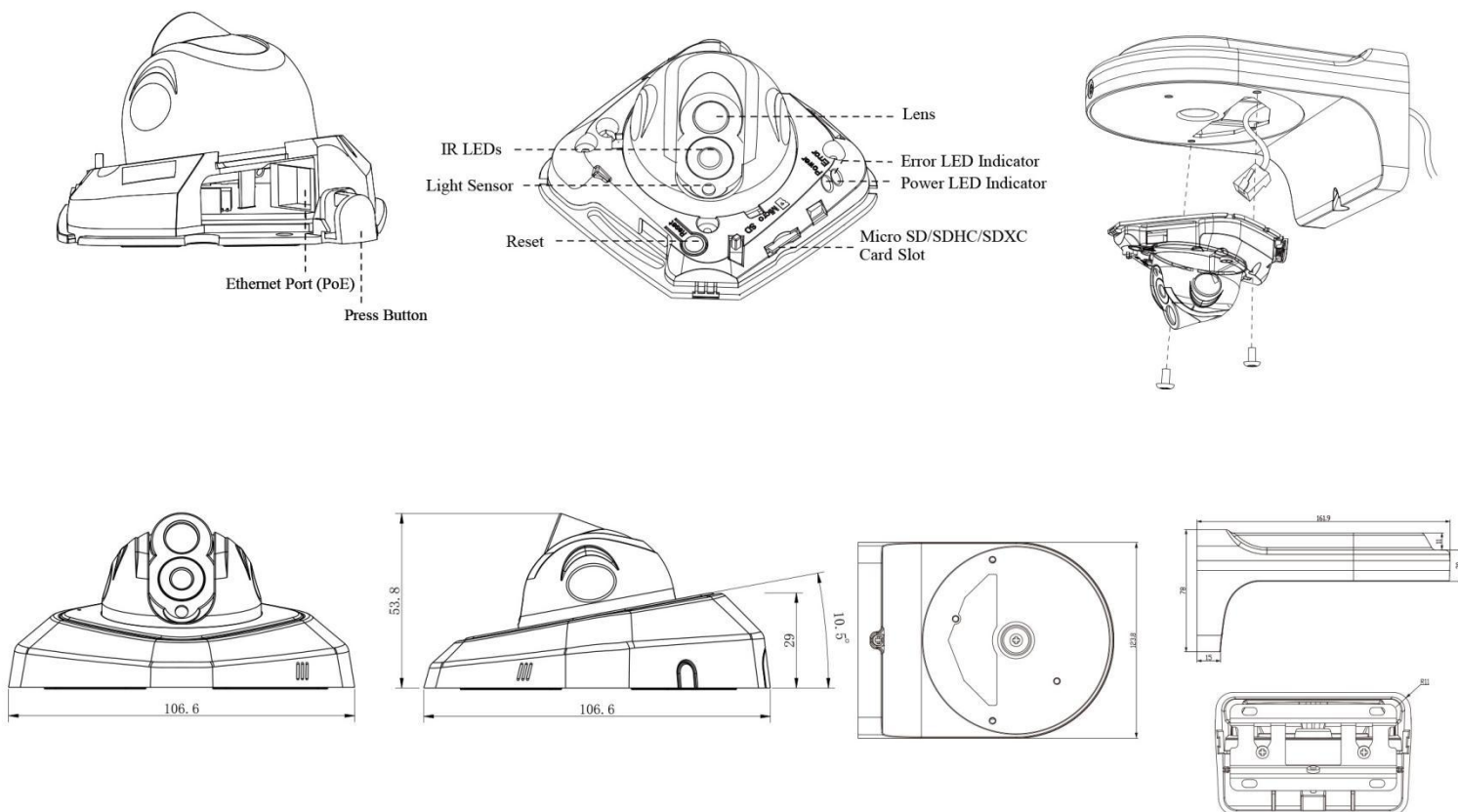
	Model	MS-C2982-PB (2MP)	MS-C4482-PB (4MP)	MS-C5382-PB (5MP)
Camera	Image Sensor	1/2.8" Progressive Scan CMOS	1/3" Progressive Scan CMOS	
	Min. Illumination	Color: 0.002Lux@F1.2 B/W: 0Lux with IR on	Color: 0.008Lux@F1.2 B/W: 0Lux with IR on	Color: 0.006Lux@F1.2 B/W: 0Lux with IR on
	WDR	Super WDR up to 140dB	Super WDR up to 120dB	
	Lens	3.6mm/2.8mm/6mm @F1.6		
	Mount	M12		
	Field of View	H93.6°(3.6mm)	H85.2°(3.6mm)	H85.2°(3.6mm)
	Shutter Time	1/100000s~1/5s		
	IR Distance	Up to 15m		
	Day&Night	ICR Filter Auto Switch		
Video	Max. Image Resolution	1920×1080	2592×1520	2560×1920
	Primary Stream	30fps@(1920×1080, 1280×960, 1280×720, 704×576)	20fps@(2592×1520), 30fps@(2304×1296, 1920×1080, 1280×960, 1280×720, 704×576)	20fps@(2560×1920, 2592×1520), 30fps@(2304×1296, 1920×1080, 1280×960, 1280×720, 704×576)
	Secondary Stream	30fps@(704×576, 640×480, 640×360, 352×288, 320×240, 320×192, 320×176)		
	Tertiary Stream	30fps@(1920×1080, 1280×720, 704×576, 640×480, 640×360, 320×240, 320×192, 320×176)		
	Video Compression	H.265(HEVC)/H.264/MJPEG		
	Video Bit Rate	16Kbps~16Mbps(CBR/VBR Adjustable)		
	Image Setting	Brightness/Contrast/Saturation/Sharpness		
	Network	Ethernet	1*RJ45 10M/100M Ethernet Port	
Network Storage		NAS(Support NFS, SMB/CIFS)		
Protocol		IPv4/IPv6, TCP, UDP, RTP, RTSP, RTCP, HTTP, HTTPS, DNS, DDNS, DHCP, FTP, NTP, SMTP, SNMP, UPnP, SIP, PPPoE, VLAN		
Audio	Audio Streaming	Built-in Microphone		
	Audio Compression	G.711/AAC		
System	Storage	Support microSD/SDHC/SDXC Local Storage, up to 128G		
	Advanced Function	Motion Detection, Privacy Masking, Backlight Compensation, HLC, 3D-DNR, ROI		
	SIP/VoIP Support	Yes, Voice & Video-over-IP		
	Event Trigger	Motion Detection, Network Disconnection, Audio Alarm, etc.		
	Event Action	FTP Upload/ SMTP Upload/ SD Card Record/ SIP Phone		
	System Compatibility	ONVIF Profile S		
General	Working Temperature	-30℃~60℃		
	Working Humidity	0~90%(Non-condensing)		
	Power Supply	PoE		
	Power Consumption	3.5W MAX 5W MAX (With IR on)	4W MAX 5.5W MAX (With IR on)	
	Weight	150g		
	Dimensions	106.6mmX106.6mmX53.8mm		
	Warranty	3/5 Years		

V7.03

H.265 IR Mini Dome Network Camera



Structure Diagrams



Units: mm

Accessories Support

A01 Pole mount with stainless steel straps

Weight: 720g
Dimensions: 170*51.5*152.6mm



A02 Corner bracket

Weight: 540g
Dimensions: 170*23.2*205.3mm



A03 Corner bracket

Weight: 900g
Dimensions: 170*152.6*76.3mm



A71 Wall mount

Weight: 531g
Dimensions: 162*124*78 mm



Naming Convention



Milesight Technology Co.,Ltd. | www.milesight.com

HEADQUARTERS
Add: No.23 Wanghai Road, 2nd Software Park, Xiamen, China
Tel: +86-592-5922772 Mail: sales@milesight.com



MILESIGHT USA
Add: 7509 N.W. 36th Street, Miami, Florida 33166, USA
Tel: +1-305-764-3474 Mail: sales@milesightusa.com

