

VERSO COMPACT

SIDE OPENING POLYCARBONATE COMPACT HOUSING

MAIN FEATURES

IP66/IP67 (with cable glands or optional sealing rings)

Vandalproof protection (IK10)

Pre-arranged for internal cable management bracket

Available accessories: heater, camera power supply, fan assisted heater

DESCRIPTION

Sturdy tamper-proof housing designed to simplify the installation and service and guarantee total protection against all environmental conditions.

Entirely constructed from technopolymer, it guarantees high impact resistance, high weather protection from external agents and UV rays.

Very easy to install thanks to the side opening system that allows the full access to the camera, lenses and all internal connections.

A wide range of accessories for mounting the equipment is available thereby satisfying all installation needs.

The housing proposes various mounting options, wall or ceiling brackets, feedthrough and non-feedthrough, or Pan & Tilt head.



VERSO COMPACT



VERSO COMPACT + CAMERA



VERSO COMPACT + WBJA



VERSO COMPACT + WBOVA2

AVAILABLE MODELS

Model Number	Sunshield	Heater 120/230Vac	Heater 12Vdc/24Vac	Heater 24Vac fan assisted	Max consumption
HPV36D0A000B	–	–	–	–	–
HPV36K0A000B	✓	–	–	–	–
HPV36K1A000B	✓	✓	–	–	40W
HPV36K2A000B	✓	–	✓	–	20W
HPV36K2A015B	✓	–	–	✓	24W

TECHNICAL DATA

GENERAL

Entirely made of technopolymer (polycarbonate)
 Sunshield in ABS
 RAL9002 Colour
 Stainless steel external screws

MECHANICAL

Cable glands: 2xM16
 Polycarbonate window (WxH): 98x55mm (3.9x2.2in)
 Internal usable area (WxH): 63x63mm (2.5x2.5in)
 Internal usable length (with or without accessories): 210mm (8.3in)
 Unit weight: 1.1kg (2.2lb)

ELECTRICAL

Heater (Ton 15°C±3°C (59°F±5°F), Toff 22°C±3°C (77°F±5°F))

- Power supply/Consumption: IN 12Vdc/24Vac, 20W max
- Power supply/Consumption: IN 120Vac/230Vac, 40W max

Heater fan assistant, continuous duty:

- IN 12Vdc, power consumption 4W max
- IN 24Vac, power consumption 4W max
- IN 100-240Vac, power consumption 4W max, with wide range power supply IN 100-240Vac - OUT 12Vdc

Camera power supply

- IN 100-240Vac, 50/60Hz - OUT 12Vdc, 1A
- IN 230Vac - OUT 24Vac, 50/60Hz, 400mA

ENVIRONMENT

Indoor/Outdoor
 Operating temperature (with heater): From -20°C (-4°F) to +60°C (140°F)
 Very good resistance to the following chemical agents: basics, alcohols, gasses, hydrocarbon
 Good resistance: organic and inorganic acids, oils
 Low resistance: solvents

CERTIFICATIONS

CE: EN61000-6-3, EN50130-4, EN60950-1, EN60950-22
 EN60529 IP66/IP67 (with cable glands)
 EN60529 IP66/IP67 (with special gaskets and bracket with internal cable channel)
 Fire-self extinguish compliance: UL94 V1
 Impact resistance: EN62262 IK10

ACCESSORIES

OHEH26	Heater 120Vac/230Vac for HOV, HTV, VERSO, VERSO COMPACT housings
OHEH27	Heating 12Vdc/24Vac for HOV, HTV, HTC, VERSO and VERSO COMPACT housings
OHPVV1	Heater fan assistant, continuous duty, IN 12Vdc, for VERSO and VERSO COMPACT housings
OHPVV2	Heater fan assistant, continuous duty, IN 24Vac, for VERSO and VERSO COMPACT housings
OHPVV3	Heater fan assistant, continuous duty, IN 100-240Vac, for VERSO and VERSO COMPACT housings
OHEPS19B	Wide range camera power supply IN 100-240Vac - OUT 12Vdc, 15W, for VERSO, VERSO POLAR, VERSO COMPACT, HEG, HTG housings
OHEPS20	Camera power supply IN 230Vac - OUT 24Vac, 10VA, for VERSO, VERSO POLAR, VERSO COMPACT, HEG, HTG housings
OWBIP2	Sealing rings kit (3xM16) IP66/IP67 for WBOVA2 and WCM4A2 brackets for PUNTO, HOV, HTV, HTC, VERSO, VERSO POLAR, VERSO COMPACT, HEB, HEK housings
OHEGBB	Weatherproof junction box
OSUPPIR	Bracket for mounting 1 GEKO IRH illuminator under the housing

RELATED PRODUCTS

PTH300	Horizontal/vertical Pan & Tilt
--------	--------------------------------

BRACKETS AND ADAPTORS

WBJA	Ceiling bracket with ball joint
WBMA	Wall bracket with ball joint
WBOVA2	Wall bracket with internal cable channel
WBOV3A2	Wall bracket with internal cable channel, counterplate and support box, not compatible with OHEBVF1, OHEBVF2 and OHEBVF3
WCM3A	Ceiling bracket with ball joint
WCM5A	Ceiling bracket with ball joint
WCM4A2	Ceiling bracket with internal cable channel
WFWCA	Column bracket with joint

SPARE PARTS

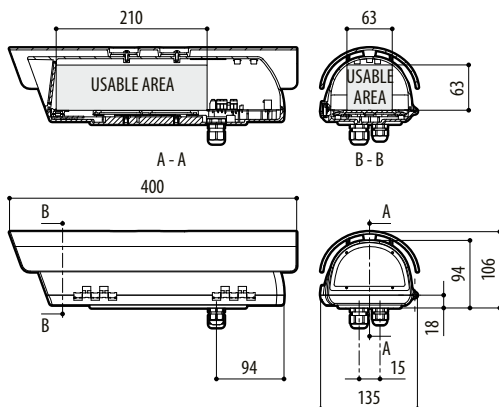
OHPVS36A000	Sunshield
DOTHPV02	Cable glands, screws and spacers for camera and lens

PACKAGE

Model Number	Weight	Dimensions (WxHxL)	Master carton
HPV36K1A000B	1.4kg (3lb)	15.2X14X53cm (6x5.5x21in)	10

TECHNICAL DRAWINGS

Sizes in millimeters.



VERSO COMPACT